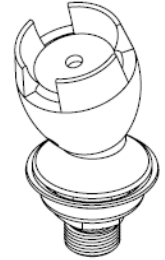




# Ezy-Drink<sup>®</sup> Lead Safe<sup>™</sup> Remote Drinking Bubbler Tap Mouth Guard and Stem

## PRODUCT CODES:

- 170.11.40.00



## SPECIFICATIONS

- Bubbler Mouth Guard is designed to operate at full mains pressure.
- The rubber mouthguard is resistant to fungal and bacterial attack and has a high resistance to sunlight.
- Lead Safe<sup>™</sup> brass construction

**IMPORTANT:** All Ezy-Drink<sup>®</sup> remote bubbler taps are tested in accordance with AS/NZS 3718 and leave our premises in good working order.

As 'lead free' is not currently defined by law in Australia and New Zealand, we have based our definition of Lead Safe<sup>™</sup> on the requirements of s1417 of the USA's Safe Drinking Water Act (SDWA) and the relevant US standards NSF61 / NSF372. The SDWA defines 'lead free' as "not more than a weighted average of 0.25% lead when used with respect to the wetted surface of pipes, pipe fittings, plumbing fittings and fixtures".

## TECHNICAL DATA

Inlet	1/2" BSP - Male	
Outlet	Rubber mouthguard	
Headwork	N/A	
Working Pressure Range (kPa)	Min	50
	Max	500
Working Temperature Range (°C)	Min	5
	Max	60
Nominal Flow Rate (LPM)	N/A	
Finish	Chrome/Rubber	

**NOTE:** Galvin Specialised continually strive to improve their products. Specifications may change without notice.

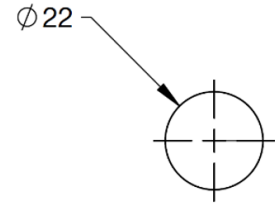
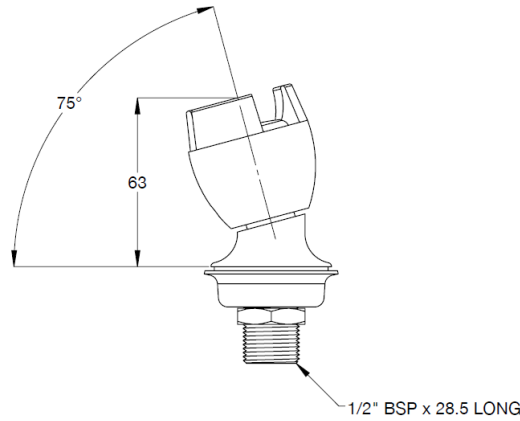
## TOOLS REQUIRED

- Power drill
- Spanner or adjustable crescent
- Screw driver

**PRE-INSTALLATION - MOUNTING DETAILS**

- If the mounting holes do not already exist, mark out and drill the holes in the bench/trough, as shown in rough-in dimensions.

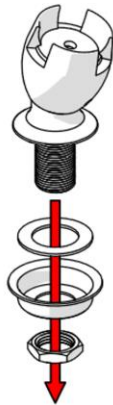
**Note: Before installation, all lines must be flushed. We recommend that a line strainer be installed prior to drinking taps to eliminate any foreign material.**



**Rough-In Dimensions**

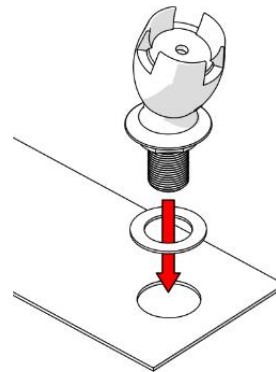
**INSTALLATION**

**IMPORTANT:** Galvin Specialised products must be installed in accordance with these installation instructions and in accordance with AS/NZS 3500, the PCA and your local regulatory requirements. Water and/or electrical supply conditions must also comply to the applicable national and/or state standards. Failing to comply with these provisions shall void the product warranty and may affect the performance of the product.



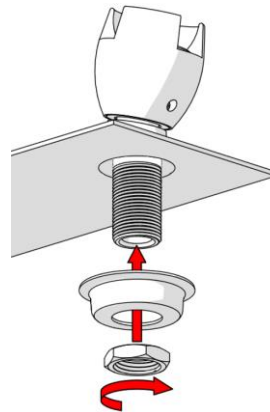
**1. Disassemble Mouthguard Outlet**

- Remove back nut and cup washer from the mouthguard outlet assembly



**2. Fit Mouthguard Outlet**

- Ensure the sealing rubber washers are placed underneath the mouthguard outlet.
- Fit the mouthguard outlet into the trough.



**3. Secure Mouthguard Outlet**

- Secure the mouthguard outlet underneath with the supplied cup washer and back nut.
- Use thread tape/sealant when connecting mains water.
- Once fitted, test for leaks and correct operation.

**TROUBLESHOOTING**

PROBLEM	CAUSE	RECTIFICATION
Inconsistent flow	Blocked outlet	Remove outlet and clean
Water is not flowing from outlet	Water is turned off	Turn on water

**WARRANTY**

The warranty set forth herein is given expressly and is the only warranty given by the Galvin Engineering Pty Ltd. With respect to the product, Galvin Engineering Pty Ltd makes no other warranties, express or implied. Galvin Engineering Pty. Ltd. hereby specifically disclaims all other warranties, express or implied, including but not limited to the implied warranties of merchantability and fitness for a particular purpose.

Galvin Engineering Pty Ltd products are covered under our manufacturer’s warranty available for download from [www.galvinengineering.com.au](http://www.galvinengineering.com.au) Galvin Engineering Pty Ltd expressly warrants that the product is free from operational defects in workmanship and materials for the warranty period as shown on the schedule in the manufacturer’s warranty. During the warranty period, Galvin Engineering will replace or repair any defective products manufactured by Galvin Engineering without charge, so long as the terms of the Manufacturer’s warranty are complied with.

The remedy described in the first paragraph of this warranty shall constitute the sole and exclusive remedy for breach of warranty, and Galvin Engineering Pty Ltd shall not be responsible for any incidental, special or consequential damages, including without limitation, lost profits or the cost of repairing or replacing other property which is damaged if this product does not work properly, other costs resulting from labour charges, delays, vandalism, negligence, fouling caused by foreign material, damage from adverse water conditions, chemical, electrical or any other circumstances over which Galvin Engineering has no control. This warranty shall be invalidated by any abuse, misuse, misapplication, improper installation or improper maintenance or alteration of the product.